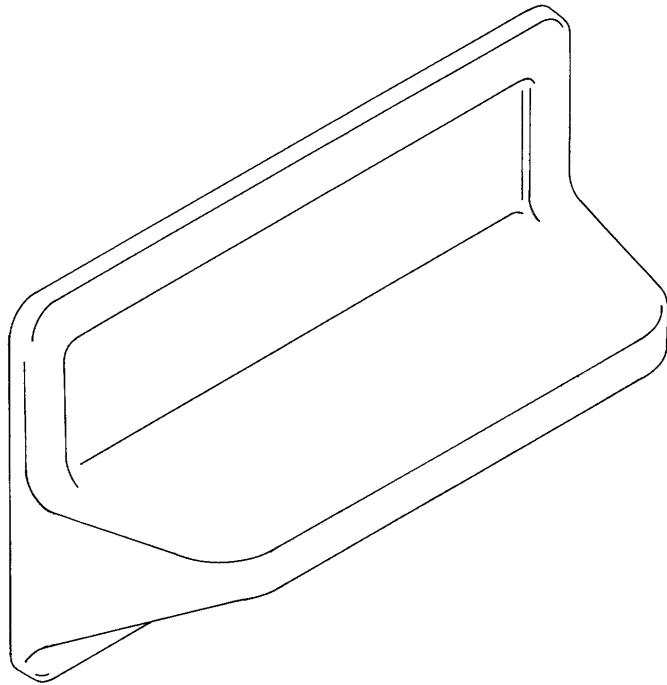


INSTALLATION INSTRUCTIONS

MODEL 572.300 VARISTONE™ SHELF



TOOLS AND MATERIALS NEEDED:

- Rubbing Alcohol
- Level
- Pencil
- Caulking Gun
- Caulking
- Silicone Adhesive/Sealant
- Mineral Spirits
- '1x1' or '1x2' – 10" Long (Optional)
- Plastic Wall Anchors w/Screws (Optional)

NOTICE: Be sure to thoroughly read & understand instructions before attempting installation.

CARE & CLEANING:

The surface of your shelf may be cleaned with a mild soap solution in warm water using a soft cloth. For stubborn stains use "Soft Scrub" by Clorox or Lysol "Tub & Tile Cleaner" or a powdered detergent such as "Spic-n-Span". Never use abrasive scouring powder or steel wool pads as they will scratch the surface. A periodic coating of a high quality marine or automotive polish will help retain the fine finish.

STEP 1:

Determine desired location of shelf (NOTE: shelf must not overlap vertical panel seams.)

STEP 2:

Hold shelf in place and level as shown in FIG 1. Draw a light pencil line at both top corners. These marks will be used to align the shelf during permanent installation.

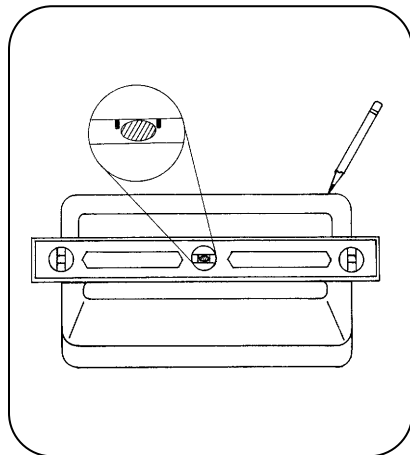


FIG 1

STEP 3:

To ensure a positive bond, clean panel with rubbing alcohol in area where shelf will be installed. HINT: A piece of wood blocking may be used as shown in FIG 2 to provide additional support.

STEP 4:

Remove the liner from one side of each piece of foam tape and apply them to the molded recesses on the backside of the shelf (FIG 3). Next, apply a 1/4" bead of a quality silicone adhesive/sealant to the grooves on the

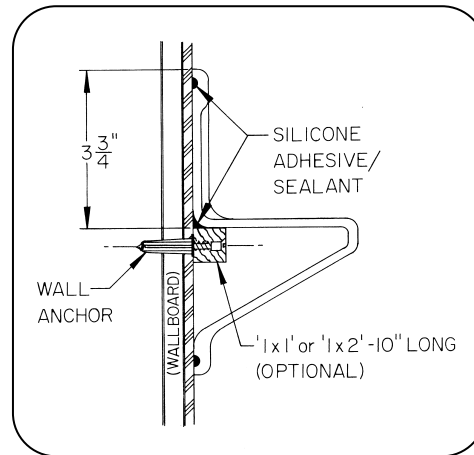


FIG 2

backside of the shelf as shown in FIG 3. Remove the remaining liners from the tape strips and, using the marks made in Step 2 for alignment, firmly press shelf into place. Clean any adhesive which may have seeped out immediately with mineral spirits followed by soap & water rinse.

STEP 5:

Allow adhesive sufficient time to cure (per adhesive manufacturer's recommendations), then caulk around entire perimeter of shelf.

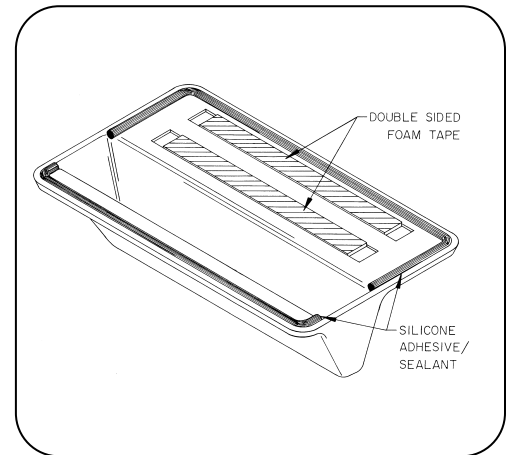


FIG 3